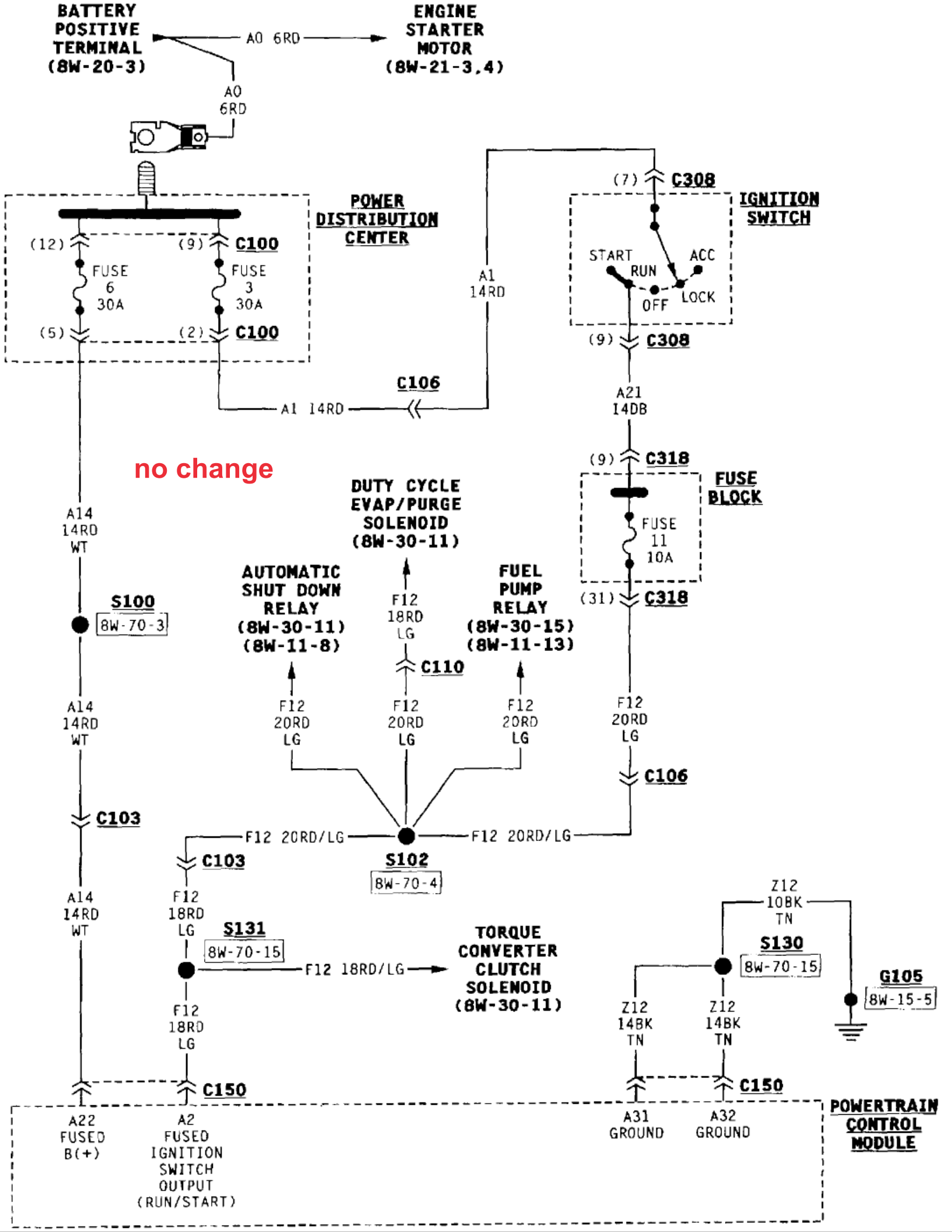


**BATTERY
POSITIVE
TERMINAL
(8W-20-3)**

**ENGINE
STARTER
MOTOR
(8W-21-3,4)**



no change

BATTERY POSITIVE TERMINAL (8W-20-3)

ENGINE STARTER MOTOR (8W-21-3,4)

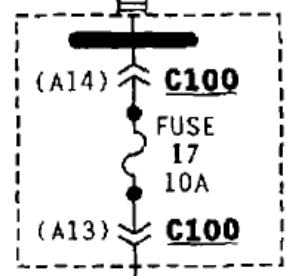
A0 6RD

A0 6RD

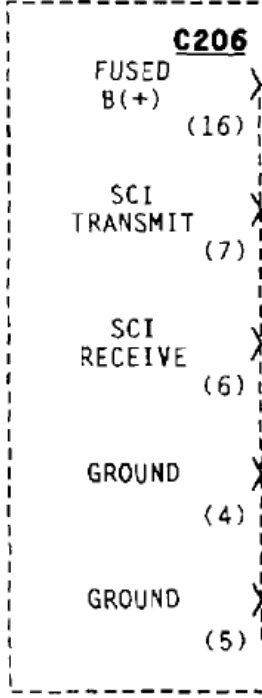
no change

UNDERHOOD LAMP (8W-44-3)

POWER DISTRIBUTION CENTER



DATA LINK CONNECTOR



S204

8W-70-19

C203

SOUND BAR/ DOME LAMP AND DOME LAMP (8W-44-4)

C203

C203

C108

C203

C107

C107

C202

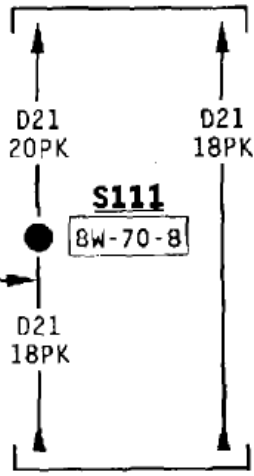
C204

C107

C107

C107

C103



S111

8W-70-8

WITH ABS

D20 18LG

D21 18PK

Z12 10BK TN

Z12 20BK TN

Z12 20BK TN

Z12 18BK TN

Z12 18BK TN

Z12 14BK TN

Z12 14BK TN

C150

C29

C102

POWERTRAIN CONTROL MODULE

A31 GROUND

A32 GROUND

C29 SCI RECEIVE

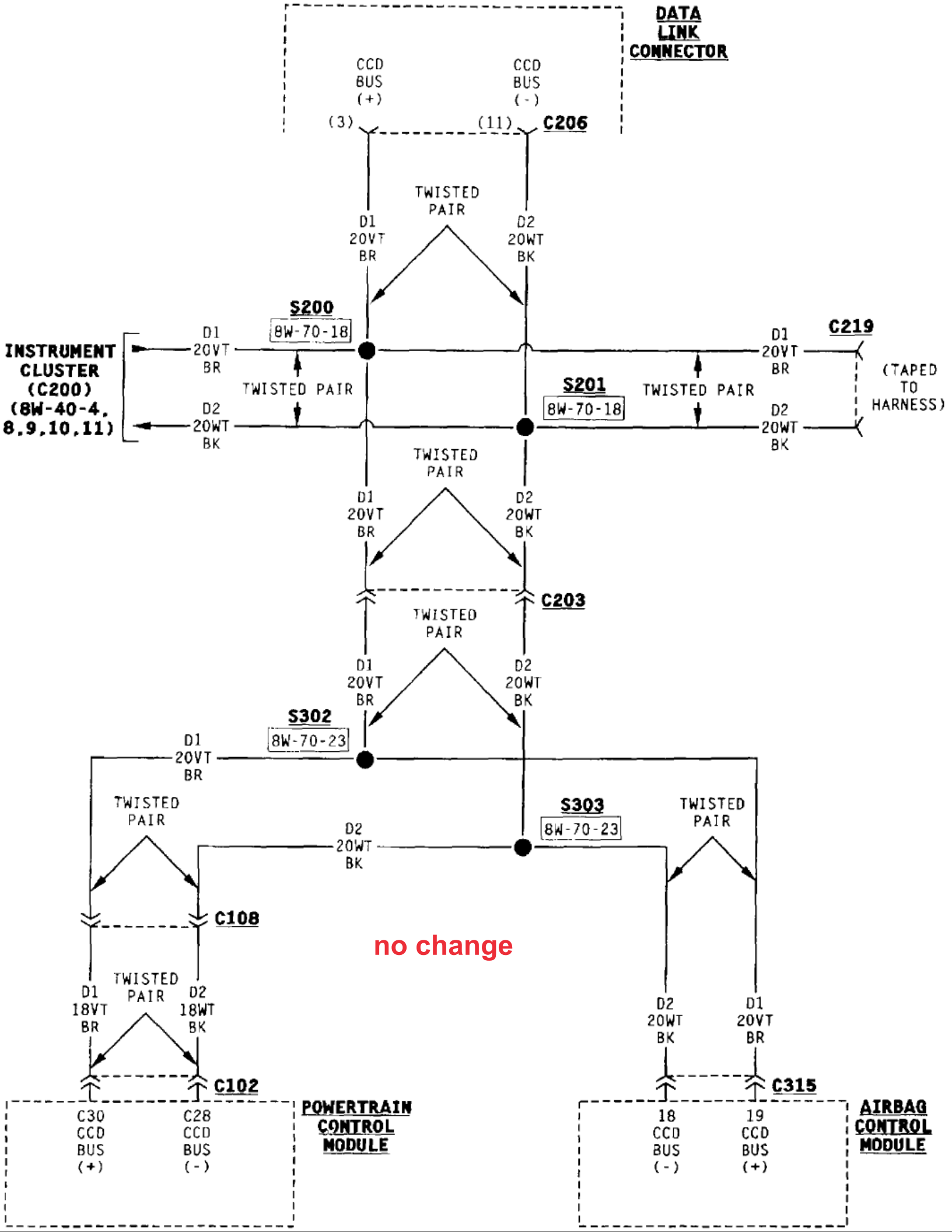
C27 SCI TRANSMIT

G105

8W-15-5

S130

8W-70-15

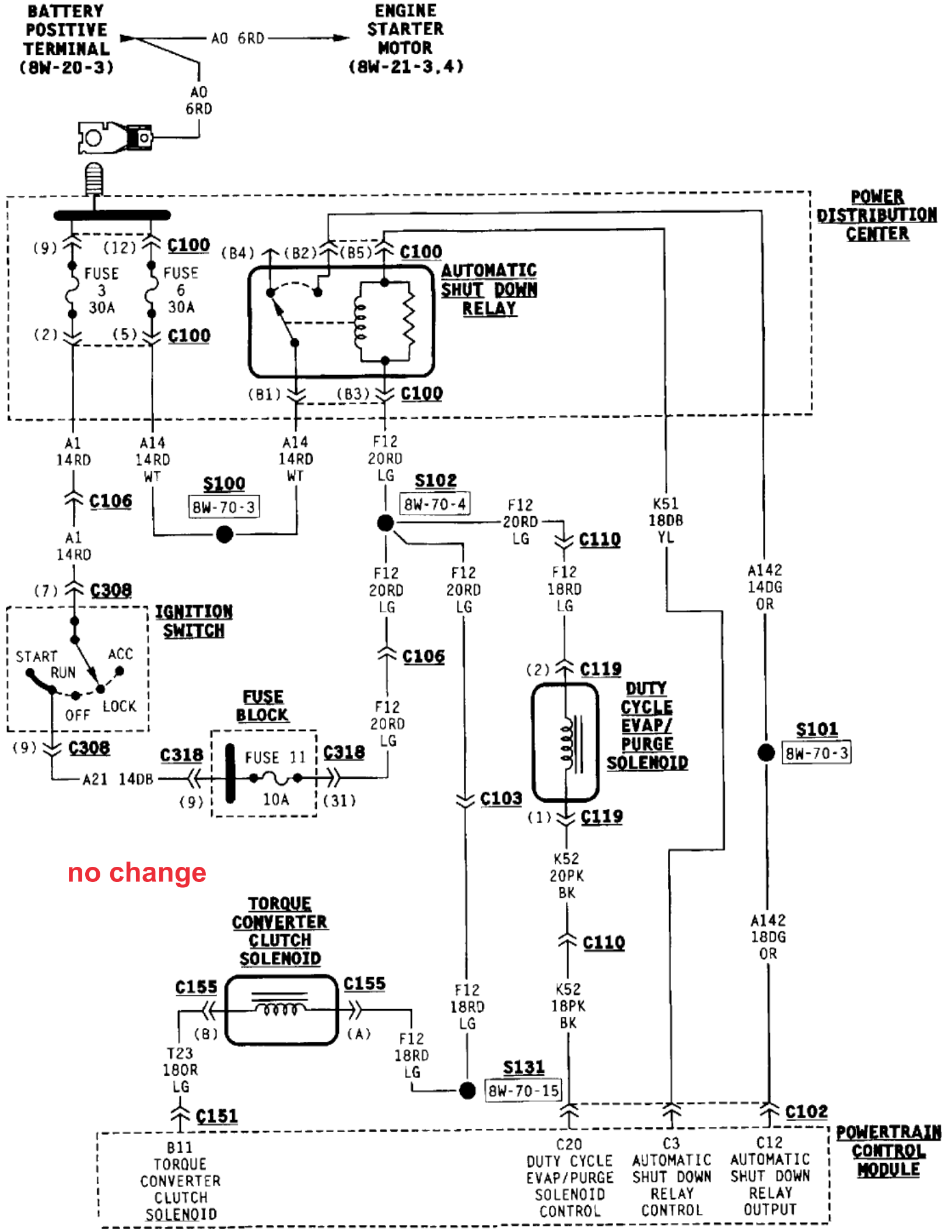


**BATTERY
POSITIVE
TERMINAL
(8W-20-3)**

**ENGINE
STARTER
MOTOR
(8W-21-3,4)**

**POWER
DISTRIBUTION
CENTER**

**POWERTRAIN
CONTROL
MODULE**



no change

AUTOMATIC SHUT DOWN RELAY (8W-30-11) (8W-11-8)

S101
8W-70-3

C103

A142 14DG/OR ———— ● ———— A142 16DG/OR

A142 16DG BK

S128
8W-70-14

S126
8W-70-13

WITH 2.5L ENG

WITH 4.0L ENG

WITH 4.0L ENG

A142 18DG BK

A142 18DG BK

A142 18DG BK

A142 18DG BK

A142 18DG BK

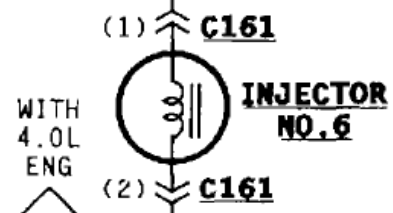
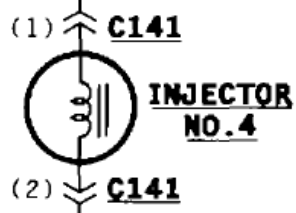
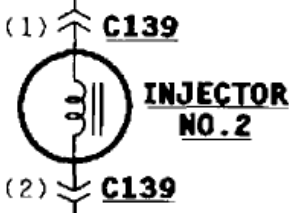
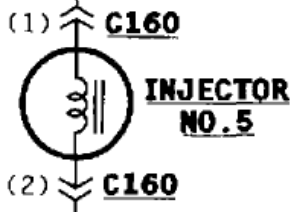
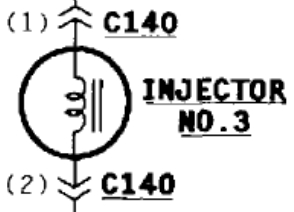
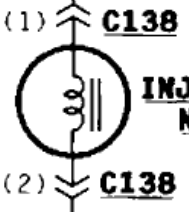
A142 18DG BK

A142 18DG BK

A142 18DG BK

A142 18DG BK

A142 18DG BK



X
K11
18WT
DB

X
K12
18TN

X
K13
18YL
WT

X
K14
18LB
BR

X
K15
18PK
BK

X
K16
18LG
BK

C151

B4
INJECTOR NO. 1 DRIVER

B15
INJECTOR NO. 2 DRIVER

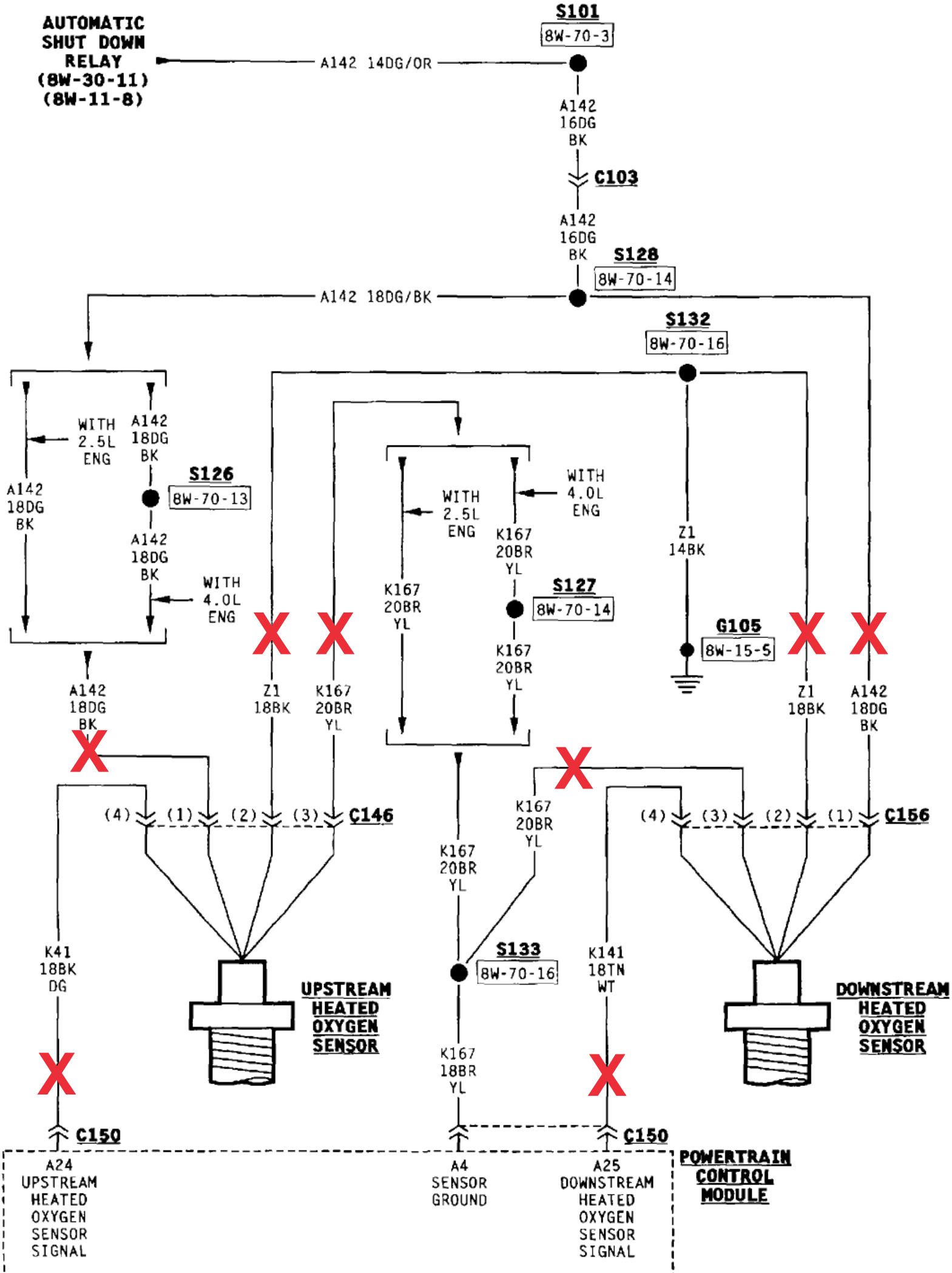
B5
INJECTOR NO. 3 DRIVER

B16
INJECTOR NO. 4 DRIVER

B6
INJECTOR NO. 5 DRIVER

B12
INJECTOR NO. 6 DRIVER

POWERTRAIN CONTROL MODULE

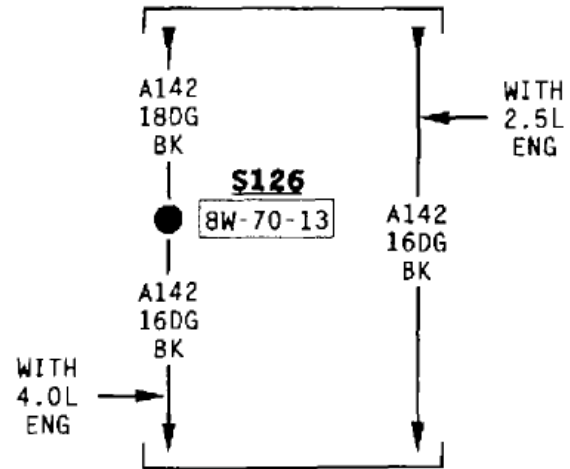
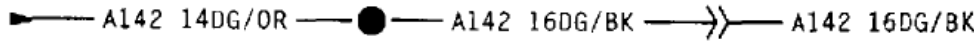


AUTOMATIC SHUT DOWN RELAY
(8W-30-11)
(8W-11-8)

S101
8W-70-3

C103

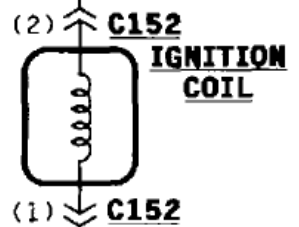
S128
8W-70-14



X

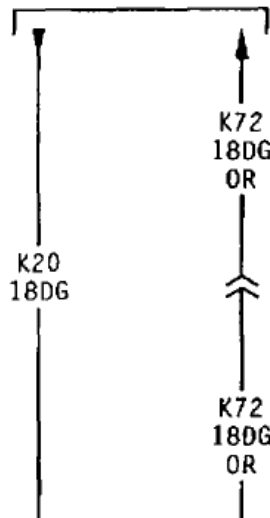
A142 16DG BK

IDLE AIR CONTROL MOTOR



(1) C152

GENERATOR (8W-20-3)



K19 18GY

X

C150

IDLE AIR CONTROL NO. 4 DRIVER
IDLE AIR CONTROL NO. 3 DRIVER
IDLE AIR CONTROL NO. 2 DRIVER
IDLE AIR CONTROL NO. 1 DRIVER

(A) (B) (C) (D) C143



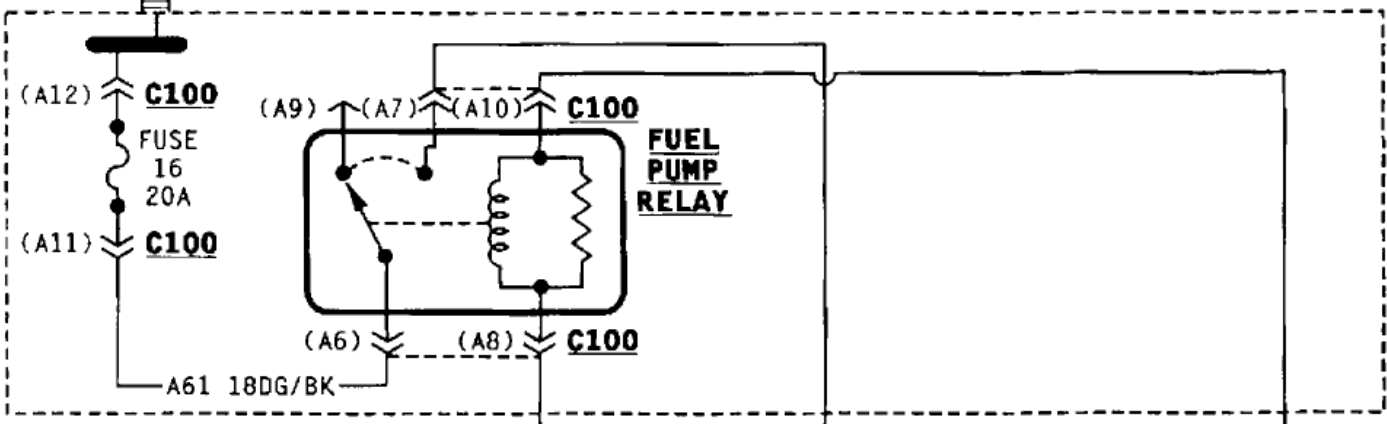
C150

A20 IDLE AIR CONTROL NO. 4 DRIVER
A11 IDLE AIR CONTROL NO. 3 DRIVER
A10 IDLE AIR CONTROL NO. 2 DRIVER
A19 IDLE AIR CONTROL NO. 1 DRIVER

POWERTRAIN CONTROL MODULE

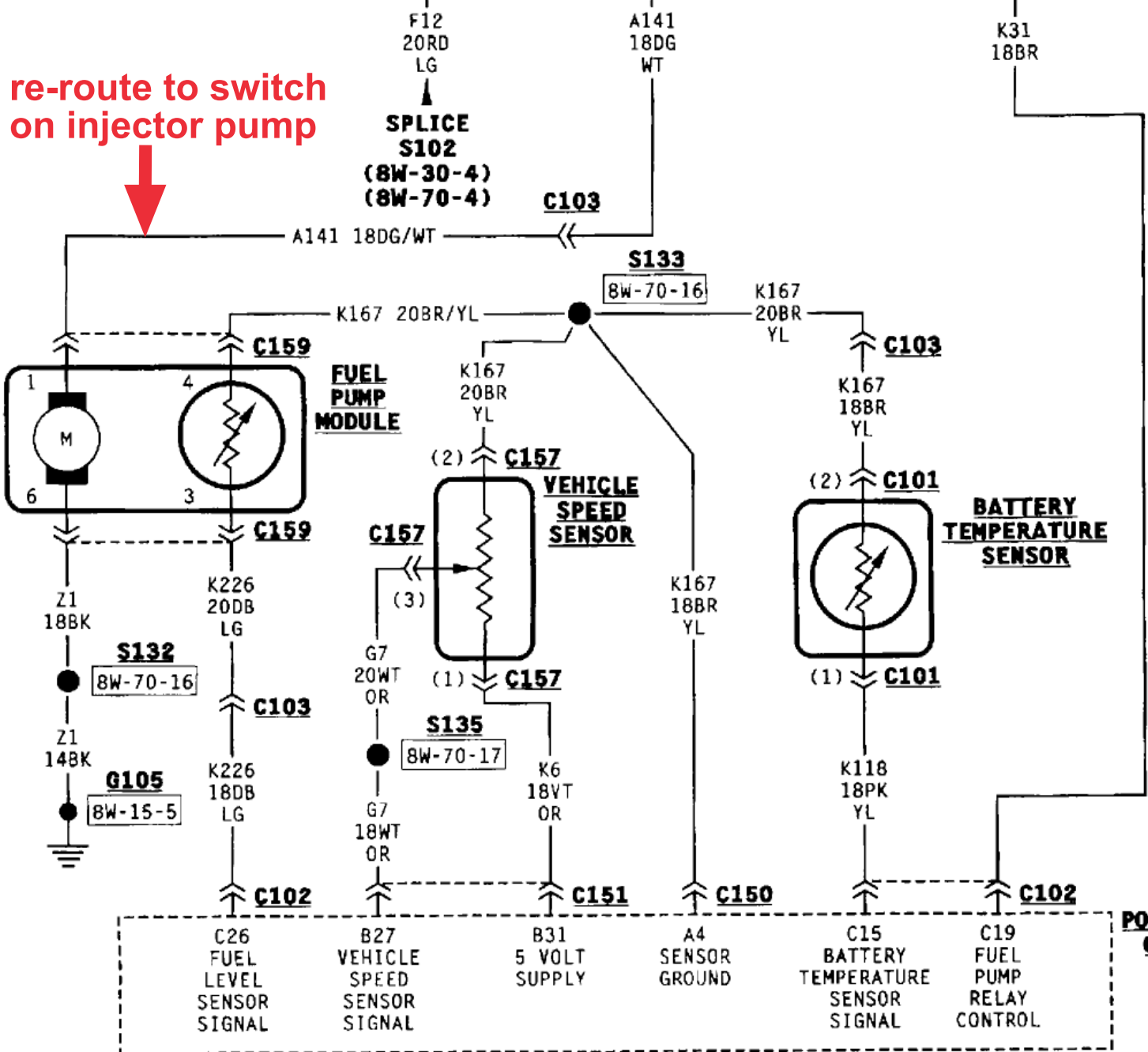
B10 GENERATOR FIELD DRIVER (-)
C25 GENERATOR FIELD SOURCE (+)
A7 IGNITION COIL DRIVER

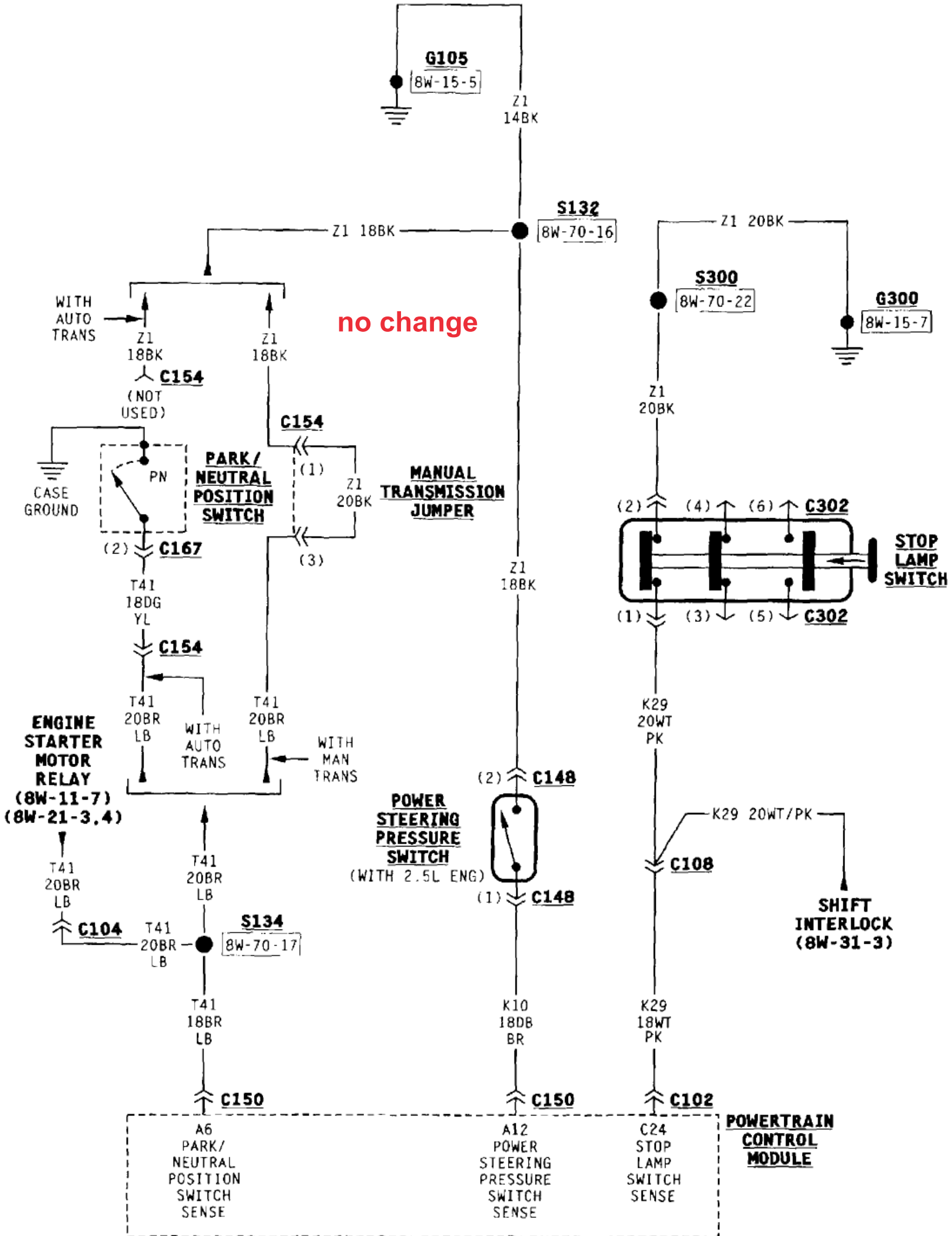
BATTERY POSITIVE TERMINAL (8W-20-3) → **A0 6RD** → **ENGINE STARTER MOTOR (8W-21-3,4)**

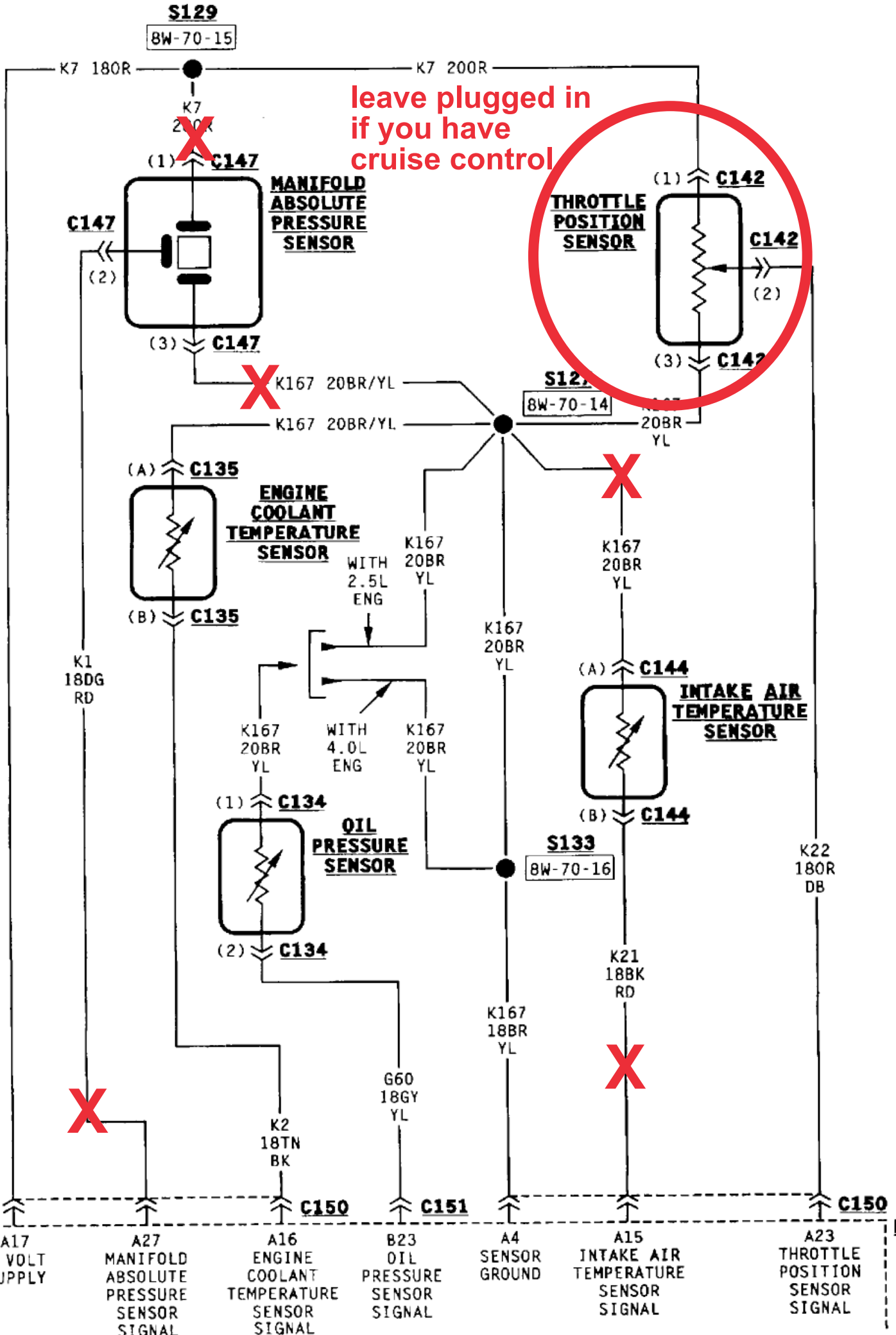


re-route to switch on injector pump

↓







S129
8W-70-15

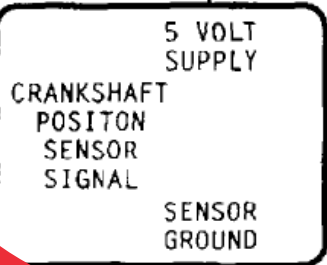
K7
200R

K7
200R

(1) C145

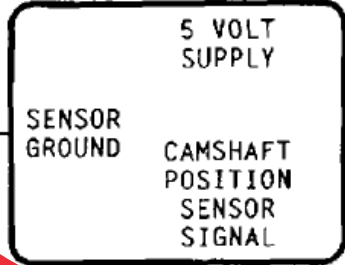
(1) C153

C145



CRANKSHAFT POSITION SENSOR

C153



CAMSHAFT POSITION SENSOR

(2) C145

(3) C153

Cut & Extend to front of engine you will re-use the sensor on the crank kit

Cut & Extend to front of engine you will re-use the sensor on the cam kit

K7
180R

S127

8W-70-14

K167
20BR
YL

K44
18TN
YL

K167
20BR
YL

S133

8W-70-16

K24
18GY
BK

K167
18BR
YL

C150

C150

C150

A17
5 VOLT SUPPLY

A8
CRANKSHAFT POSITION SENSOR SIGNAL

A4
SENSOR GROUND

A18
CAMSHAFT POSITION SENSOR SIGNAL

POWERTRAIN CONTROL MODULE

